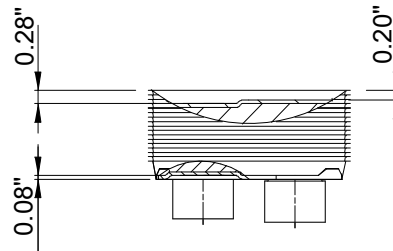
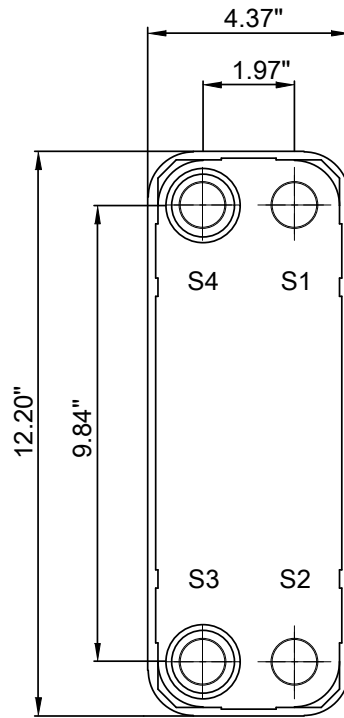
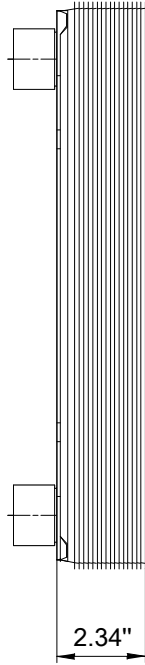
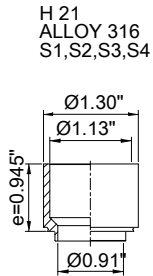


Note that all unique customer requirements (i.e tolerance) need to be verified thru Alfa Laval.



HEATING SURFACE                   ft<sup>2</sup>  
 NETWEIGHT                           8.4 lb  
 OPERATING WEIGHT               lb  
 PLATE MATERIAL                   ALLOY 316  
 PLATE GROUPING                   1\*9H/1\*10H

Frameplate is depressed 0.08 inches at connection S3/S4  
 Pressureplate is depressed 0.08 inches / even number of channel plates  
 at connections T3/T4 / uneven number of channel plates at  
 connections T1/T2.

T1 T2 T3 T4 locations on back side  
 correspond to S1 S2 S3 S4 on front side

ALL DIMENSIONS IN INCHES

SIDE	MEDIA	INLET	TEMP.	OUTLET	TEMP.	FLOW RATE	PRESSURE DROP	LIQUID VOL.
1	Water	S1	°F	S2	°F	lb/h	psi	0.02 ft <sup>3</sup>
2	Water	S3	°F	S4	°F	lb/h	psi	0.02 ft <sup>3</sup>

PRESSURE VESSEL APPROVAL

PED/CRN

AlfaNova 27-20H (3287000880)

[www.alfalaval.com](http://www.alfalaval.com)

CUSTOMER NAME / REF. NO.

TOTAL LENGTH                   3.3 in  
 TOTAL WIDTH                    4.4 in  
 TOTAL HEIGHT                   12.2 in

COMPANY / REF.  
 Alfa Laval Nordic AB  
 Alfa Laval Inc.

8/25/2021  
 REV 0